



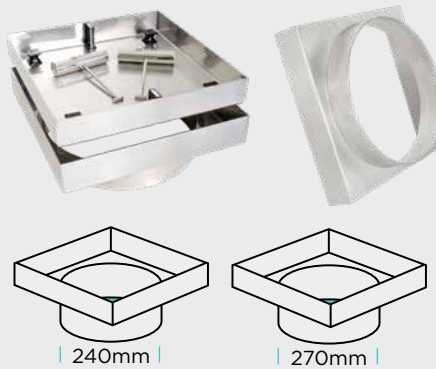
# HIDE®

# HIDE KIT SERIES CONCRETE

## SKIMMER & ACCESS COVERS



## NEW CONCRETE COLLAR



## DRAIN COVERS



314-40  
(Rainwater pit)

342-40 (Series 300 Pit)

Plastic pit/trap not included, illustration only.

## HIDE CONCRETE COVER KIT INCLUDES

### SAFETY KEYS

A 316L marine grade stainless steel tool, to enable the installed HIDE cover to be safely and easily opened and closed.

### INLAY LID

A 316L marine grade stainless steel tray which holds the concrete, which is poured directly into the lid.

### EDGE PROTECTOR

A 316L marine grade stainless steel frame inserted into a recess within the landscaped area. It protects the coping/surrounds from chipping/breakage when the Inlay Lid is opened/closed.

### DOCUMENTATION

Documents consist of comprehensive contractor installation instructions, homeowners manual and warranty.



Worlds only fully  
customisable dual inlay  
system

## NO ACID OR CHEMICAL WASH

ACID and chemical washes will cause discolouration and/or rusting on the stainless steel HIDE components. Acid or chemical contact will void the HIDE warranty.

Please scan and read the Care & Maintenance document to better understand stainless steel care.



## CARE & MAINTENANCE



### HEAD OFFICE

26 Link Drive, Yatala, Qld, 4207

P: +61 7 3807 2551

E: admin@skimmerlids.com.au

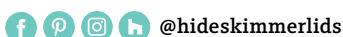
W: www.skimmerlids.com.au

### SALES

AUST/NZ - Gary Steele - M: 0427 270 560

NSW - Sarah-Jane Winston - M: 0447 981 121

VIC - Azra Sehic - M: 0499 260 254



Patents: AUST, UK, NZ available: www.skimmerlids.com.au  
USA/Canada: www.skimmercovers.com (under technical tab)



PROUDLY MANUFACTURED BY:

SKIMMER LIDS